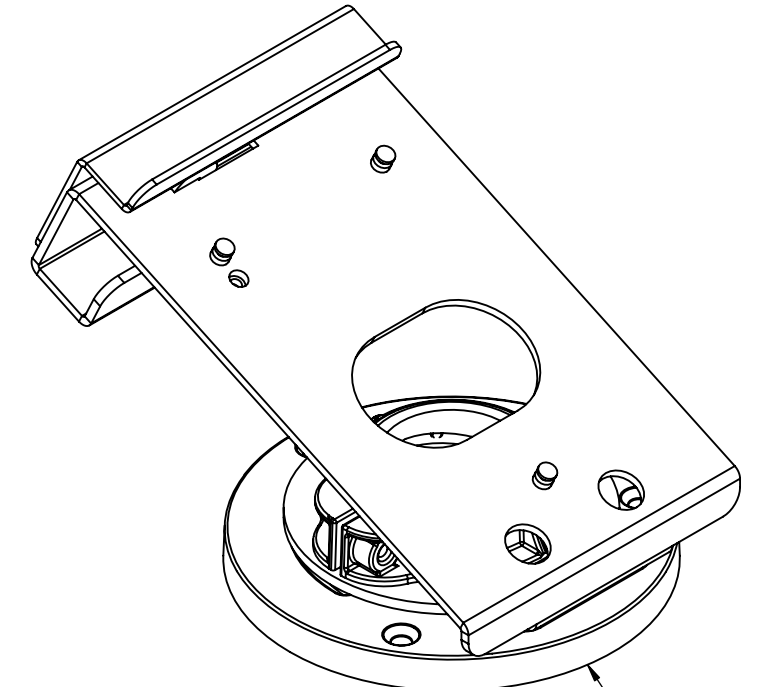
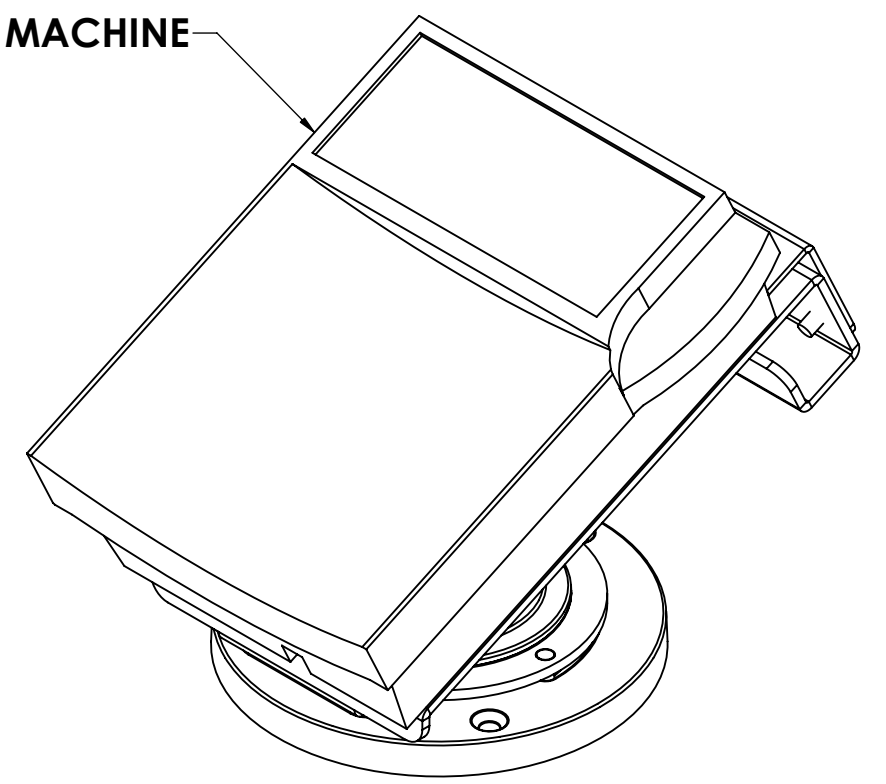
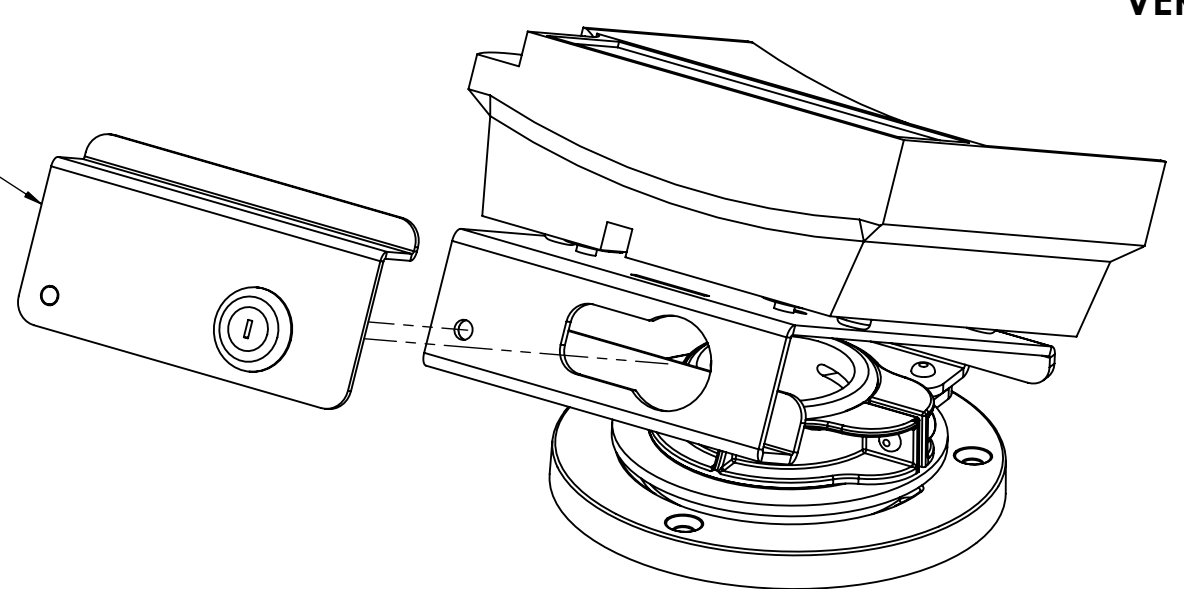
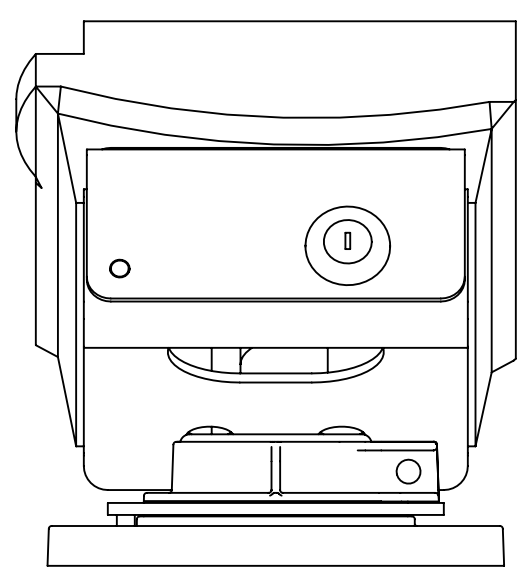
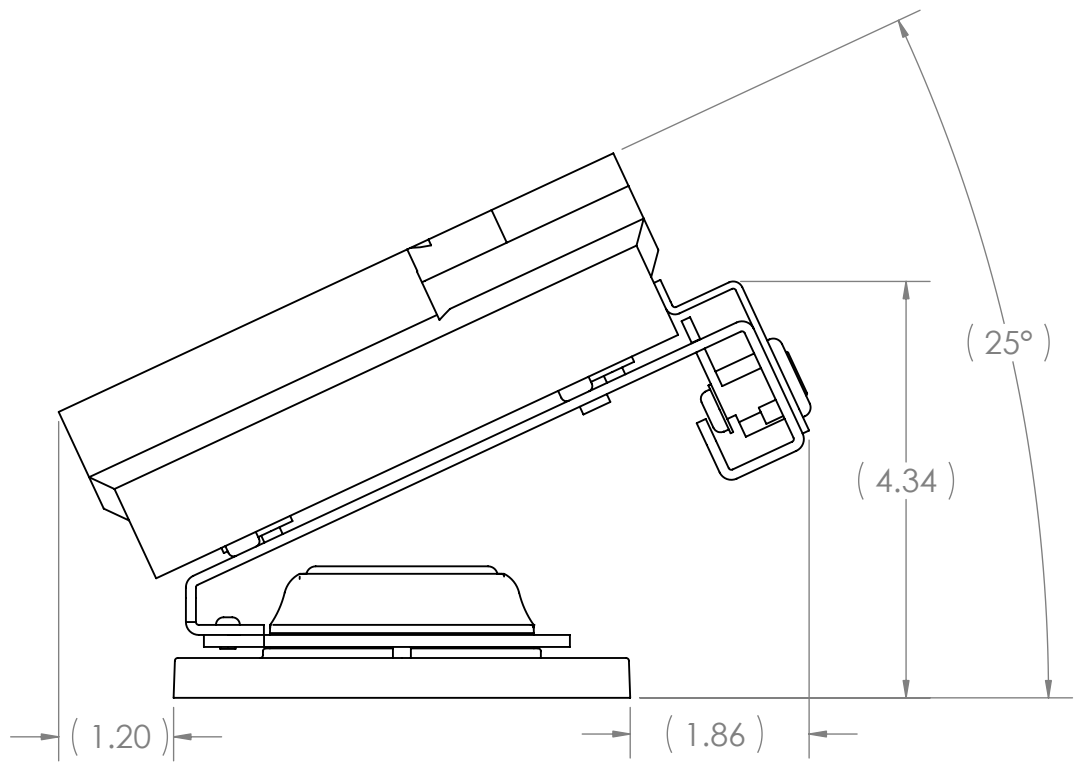
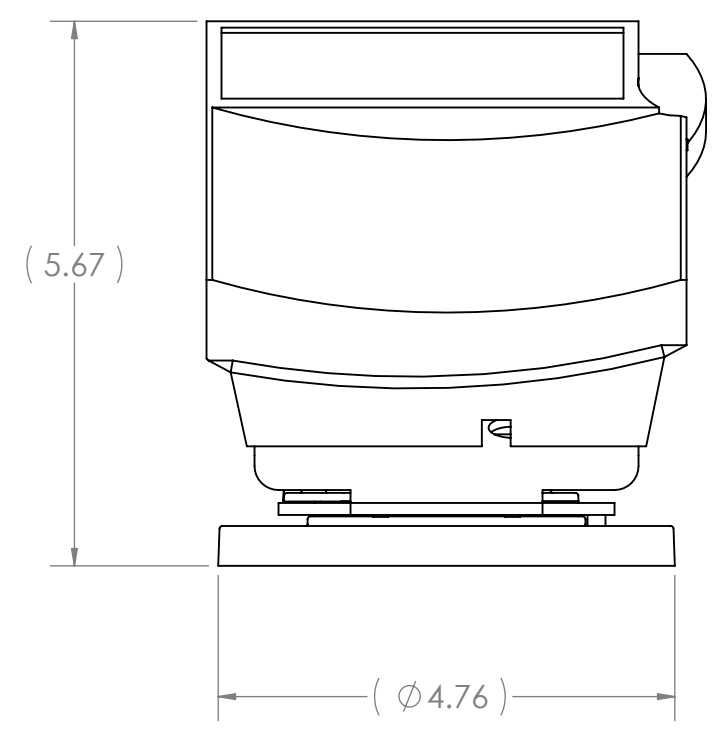
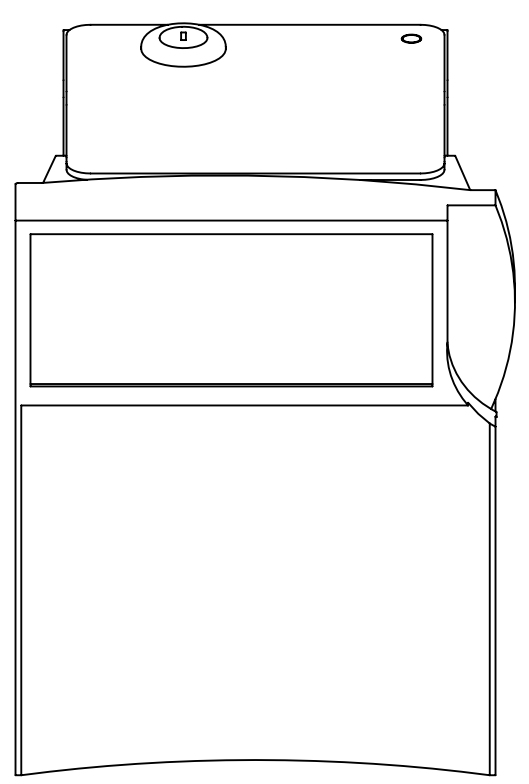


VERIFONE EVEREST MACHINE

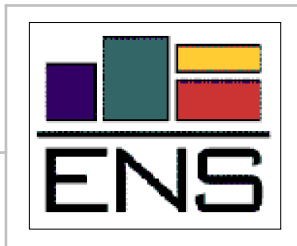
REAR LOCKING PLATE



SWIVEL WEDGE ROTATES 180°



THE INFORMATION CONTAINED IN THIS DRAWING IS THE SOLE PROPERTY OF ENGINEERED NETWORK SYSTEMS AND REPRODUCTION IN PART OR IN WHOLE WITHOUT THE WRITTEN PERMISSION OF ENGINEERED NETWORK SYSTEMS IS PROHIBITED.



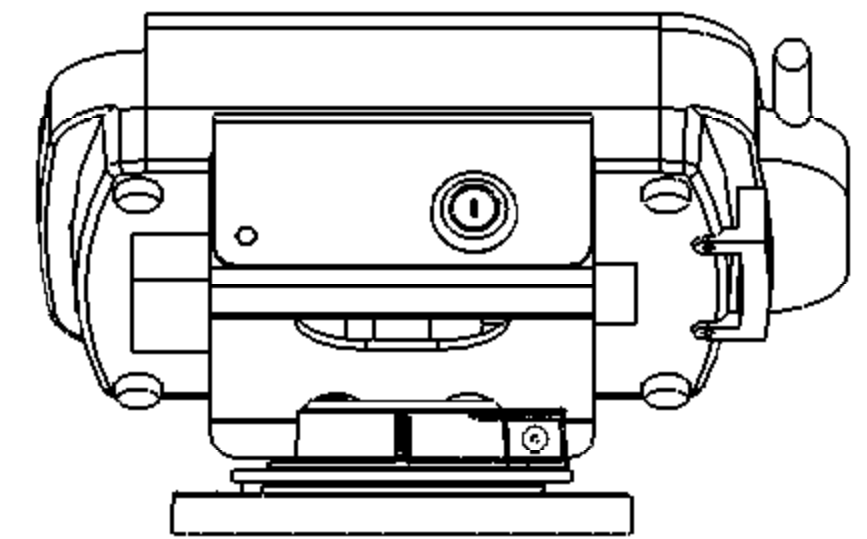
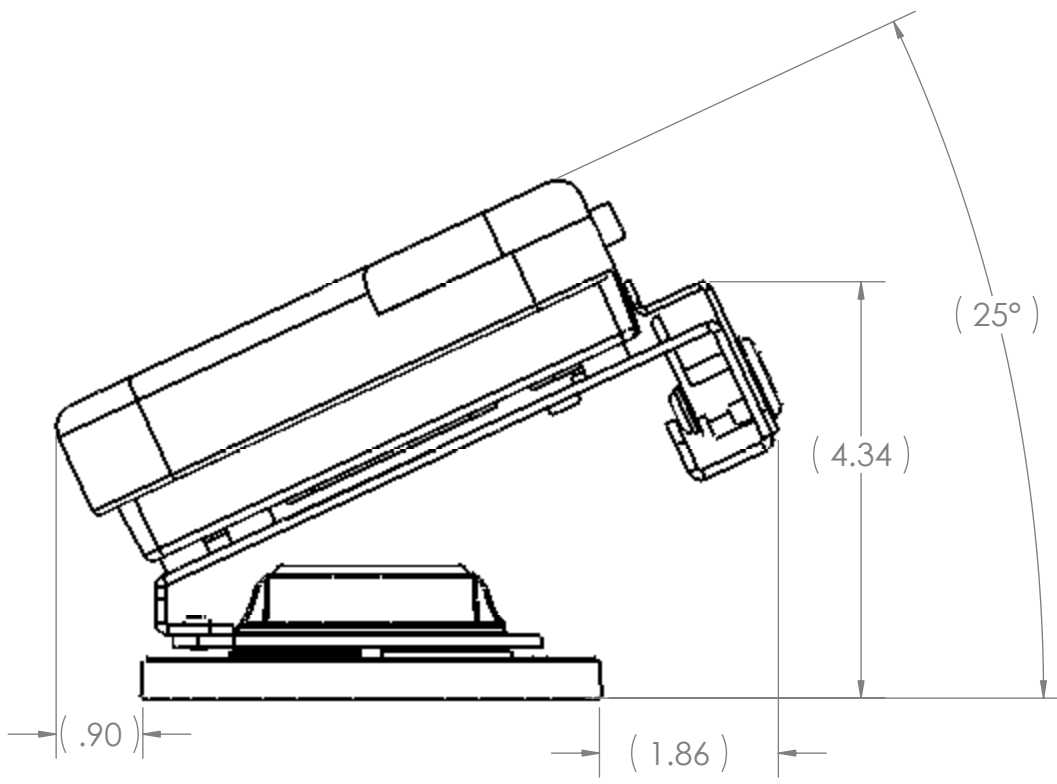
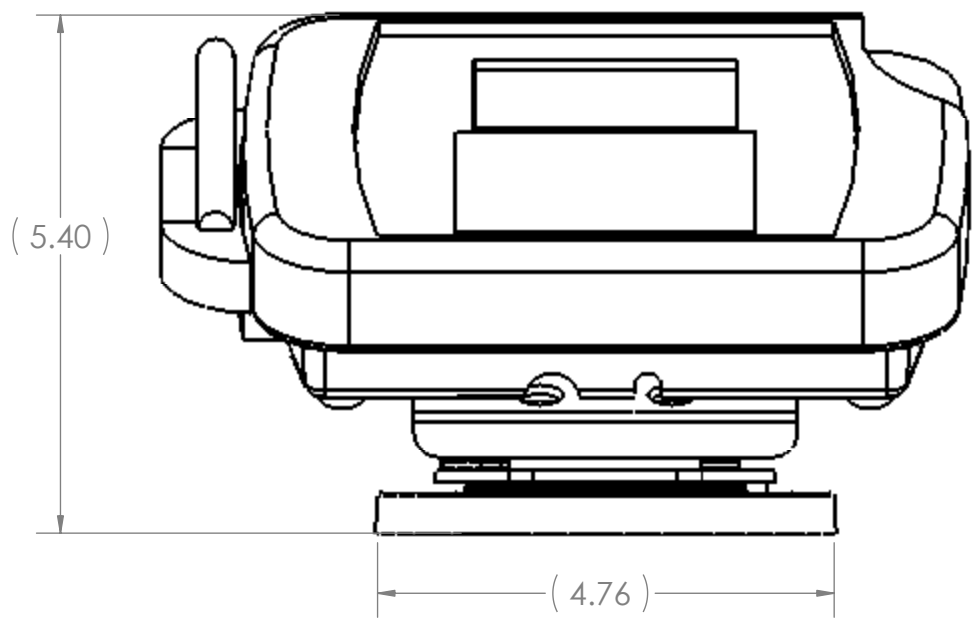
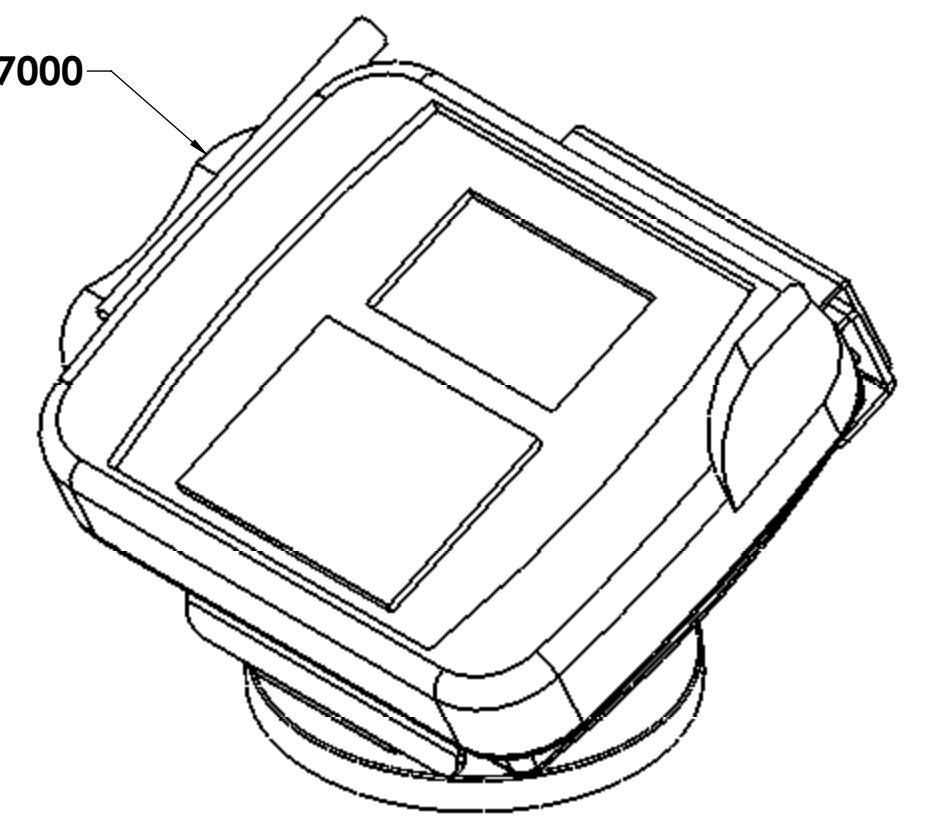
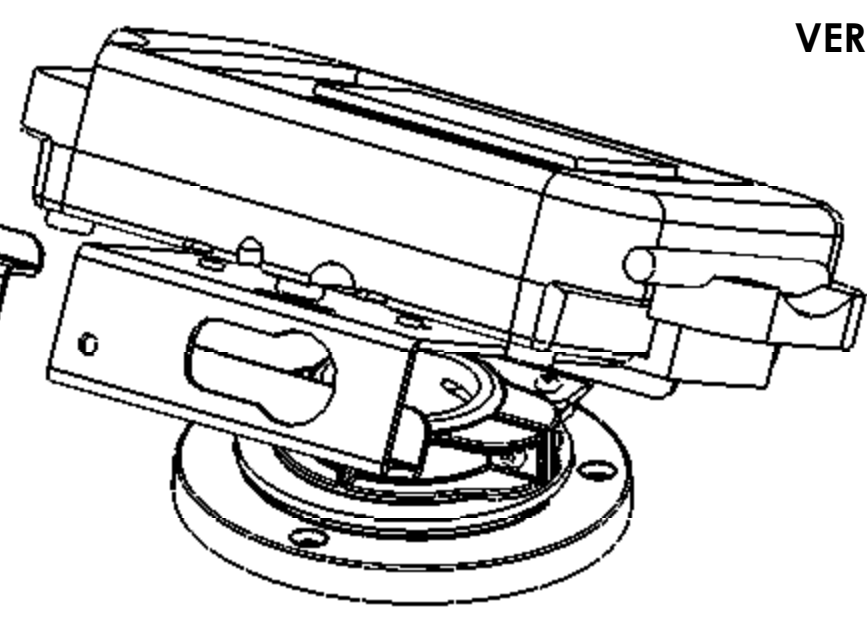
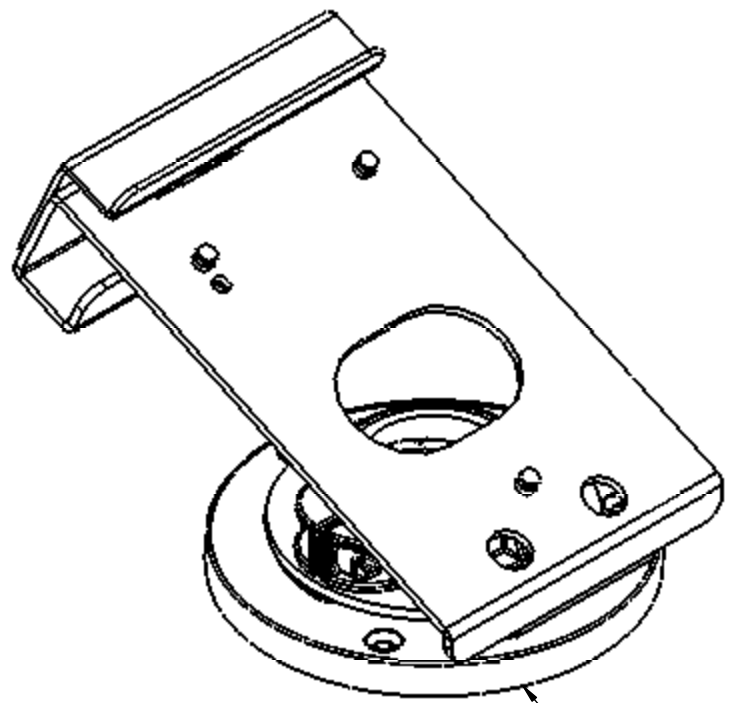
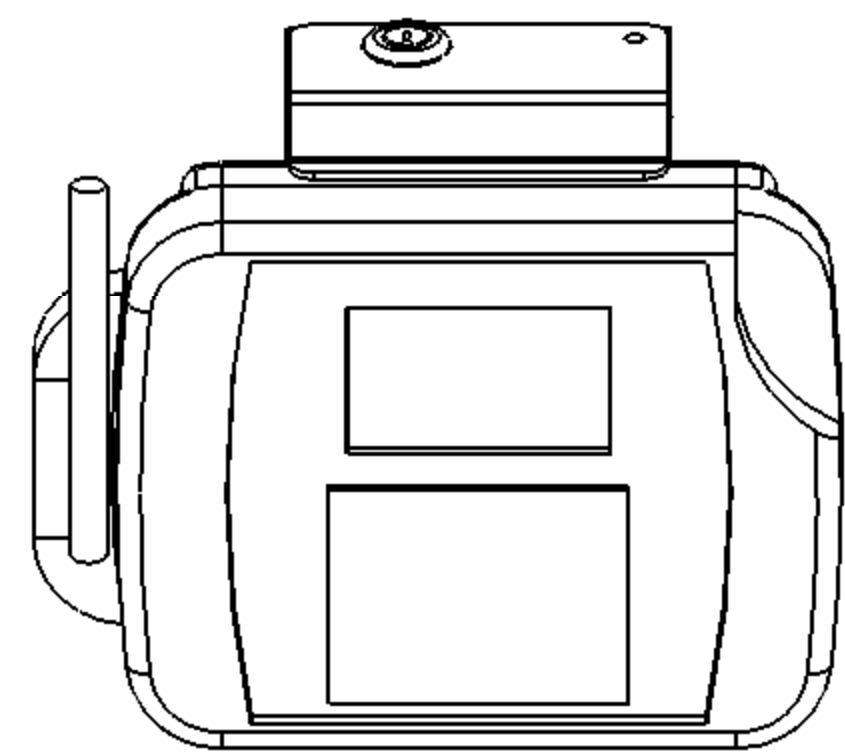
Engineered Network Systems, Inc.
 CUSTOMER VERIFICATION AND AUTHORIZATION

REV.	DESCRIPTION	DATE	BY	CHK'D
B	REVISED ENS0929A, ENS0929B IS NOW ENS09748A	01/29/07	JGC	
A	FRIST PROTOTYPE RELEASE	09/26/06	JGC	
DRAWN JGC				
DATE 09/26/06				
CUSTOMER APPROVAL (SIGNATURE REQUIRED):				
TITLE CENTER HOLE SWIVEL WEDGE, VERIFONE				
DATE	SIZE C	DWG. NO. 367-0929	REV. B	SHEET 1 OF 1

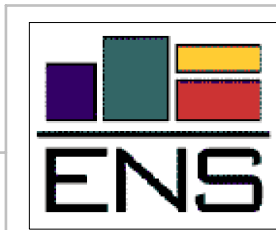
VERIFONE OMNI 7000

REAR LOCKING PLATE

SWIVEL WEDGE
ROTATES 180°



THE INFORMATION CONTAINED IN THIS DRAWING IS THE SOLE PROPERTY OF ENGINEERED NETWORK SYSTEMS AND REPRODUCTION IN PART OR IN WHOLE WITHOUT THE WRITTEN PERMISSION OF ENGINEERED NETWORK SYSTEMS IS PROHIBITED.



Engineered Network Systems, Inc.
CUSTOMER VERIFICATION AND AUTHORIZATION

REV.	DESCRIPTION	DATE	BY	CHK'D
B	REVISED ENS0929A, ENS0929B IS NOW ENS09748A	01/29/07	JGC	
A	FRIST PROTOTYPE RELEASE	09/26/06	JGC	
DRAWN JGC				
DATE 09/26/06				
CUSTOMER APPROVAL (SIGNATURE REQUIRED):				
DATE	SIZE	DWG. NO.	REV.	CHK'D
	C	367-0929	B	
SHEET 1 OF 1				

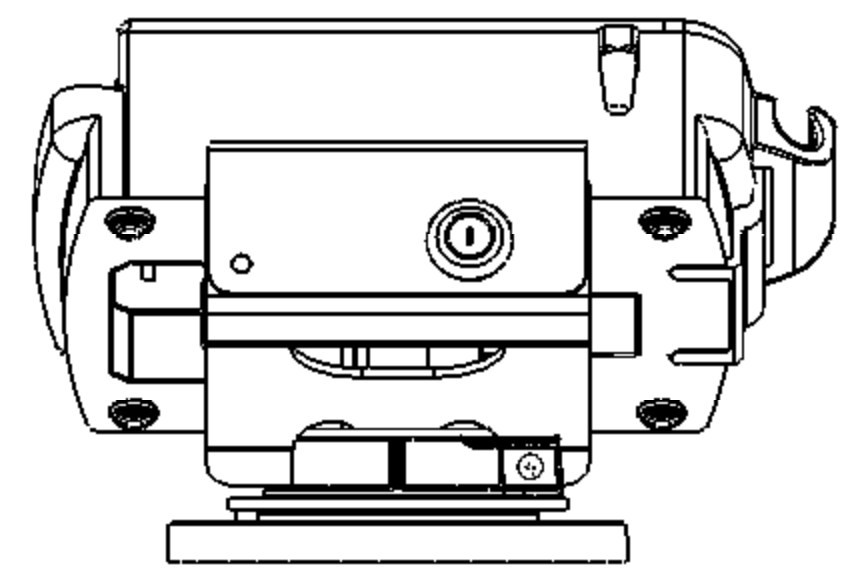
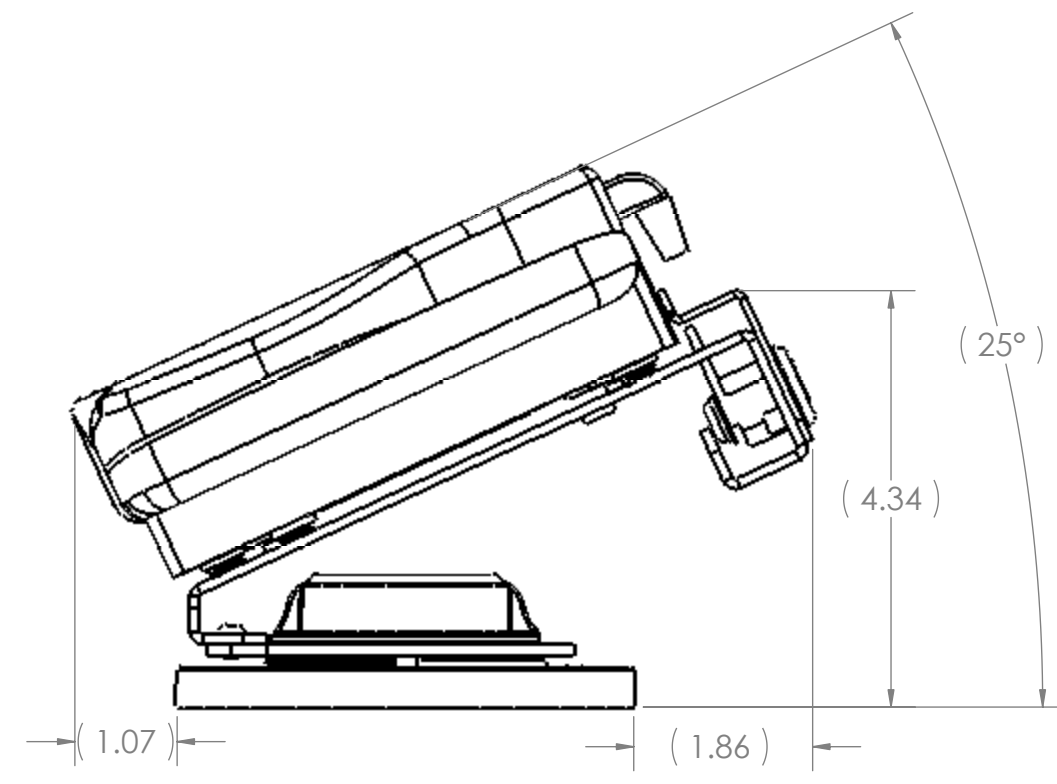
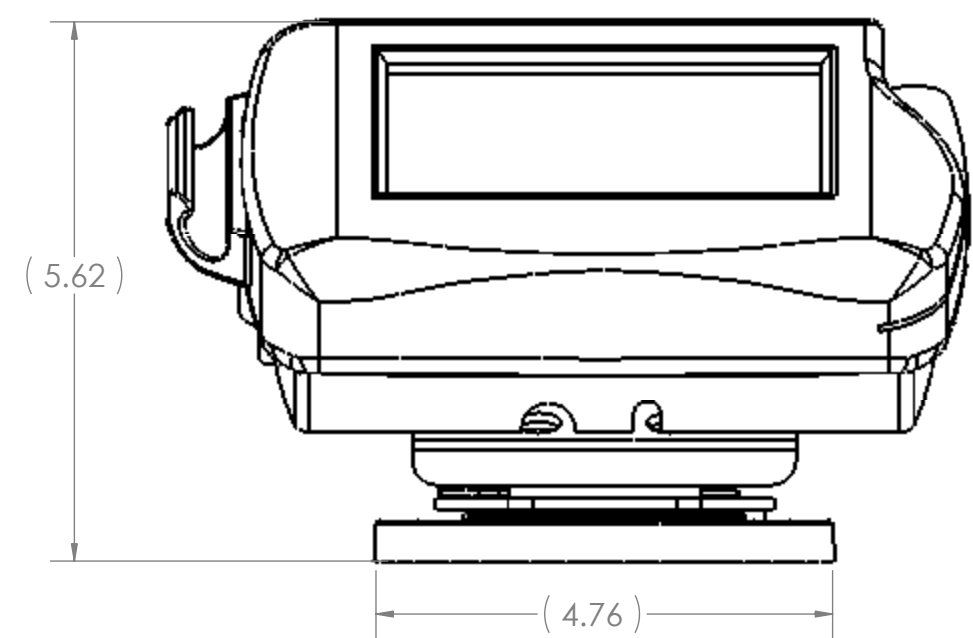
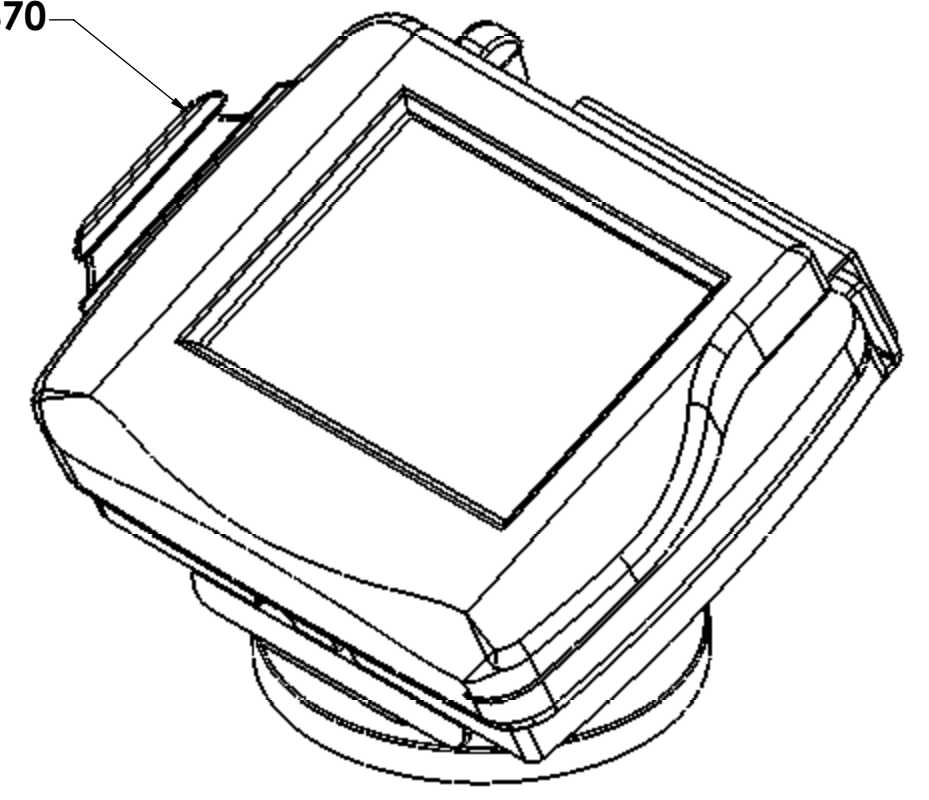
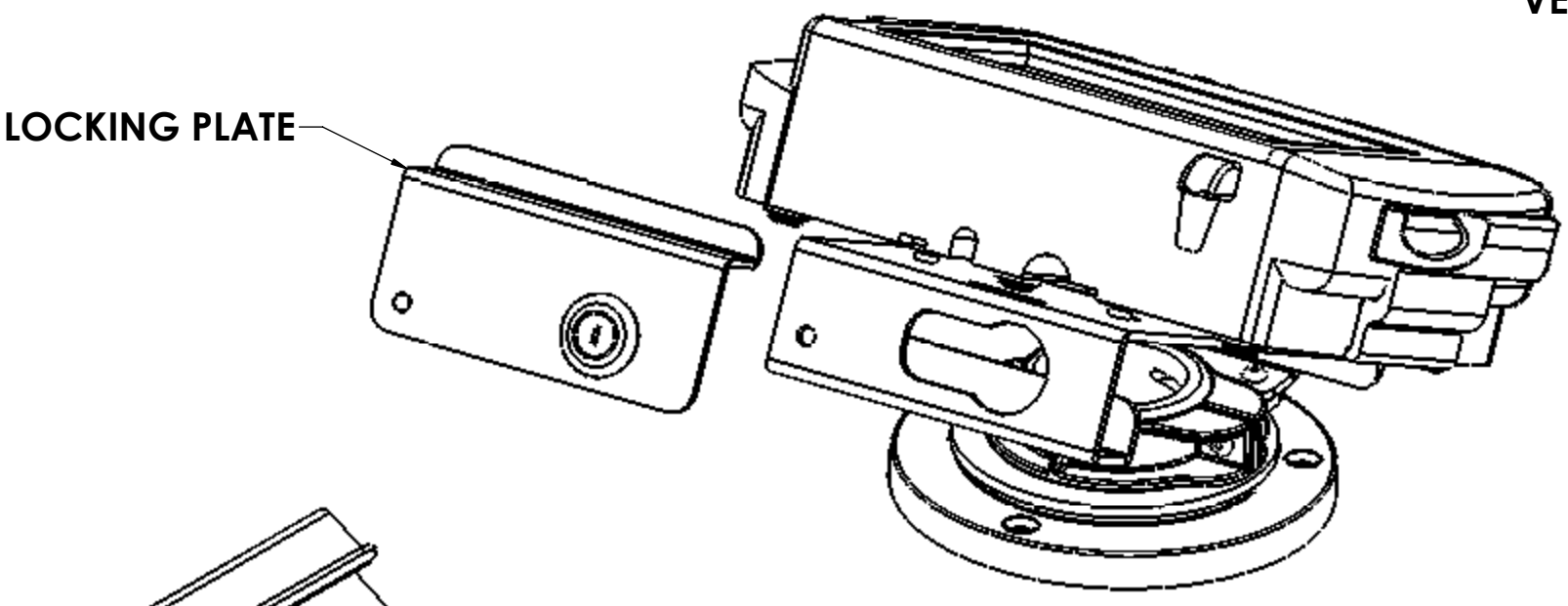
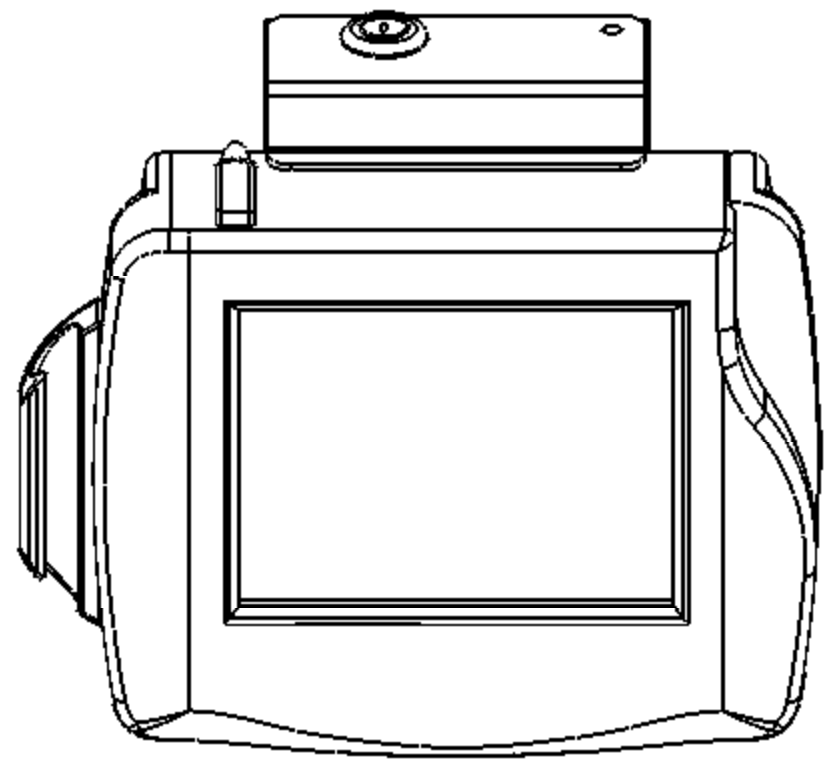
Engineered Network Systems, Inc.
14451 Ewing Ave. Suite 100 Burnsville, MN 55306
Phone: 952-767-1005 Fax: 952-767-1006

TITLE CENTER HOLE SWIVEL WEDGE, VERIFONE

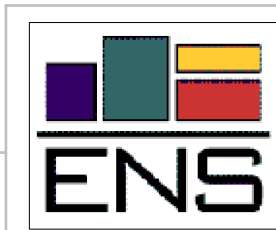
VERIFONE MX870

REAR LOCKING PLATE


SWIVEL WEDGE
ROTATES 180°



THE INFORMATION CONTAINED IN THIS DRAWING IS THE SOLE PROPERTY OF ENGINEERED NETWORK SYSTEMS AND REPRODUCTION IN PART OR IN WHOLE WITHOUT THE WRITTEN PERMISSION OF ENGINEERED NETWORK SYSTEMS IS PROHIBITED.



Engineered Network Systems, Inc.
CUSTOMER VERIFICATION AND AUTHORIZATION

REV.	DESCRIPTION	DATE	BY	CHK'D
B	REVISED ENS0929A, ENS0929B IS NOW ENS09748A	01/29/07	JGC	
A	FRIST PROTOTYPE RELEASE	09/26/06	JGC	
DRAWN JGC				
DATE 09/26/06				
CUSTOMER APPROVAL (SIGNATURE REQUIRED):				
 Engineered Network Systems, Inc. 14451 Ewing Ave. Suite 100 Burnsville, MN 55306 Phone: 952-767-1005 Fax: 952-767-1006				
TITLE CENTER HOLE SWIVEL WEDGE, VERIFONE				
DATE	SIZE C	DWG. NO. 367-0929	REV. B	SHEET 1 OF 1